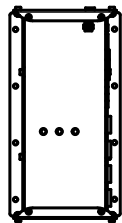
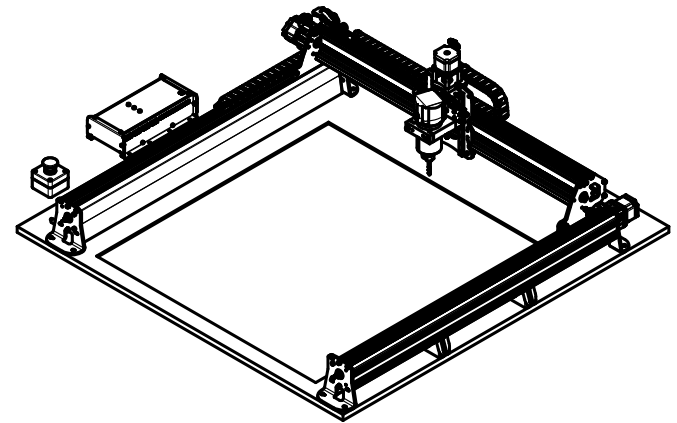
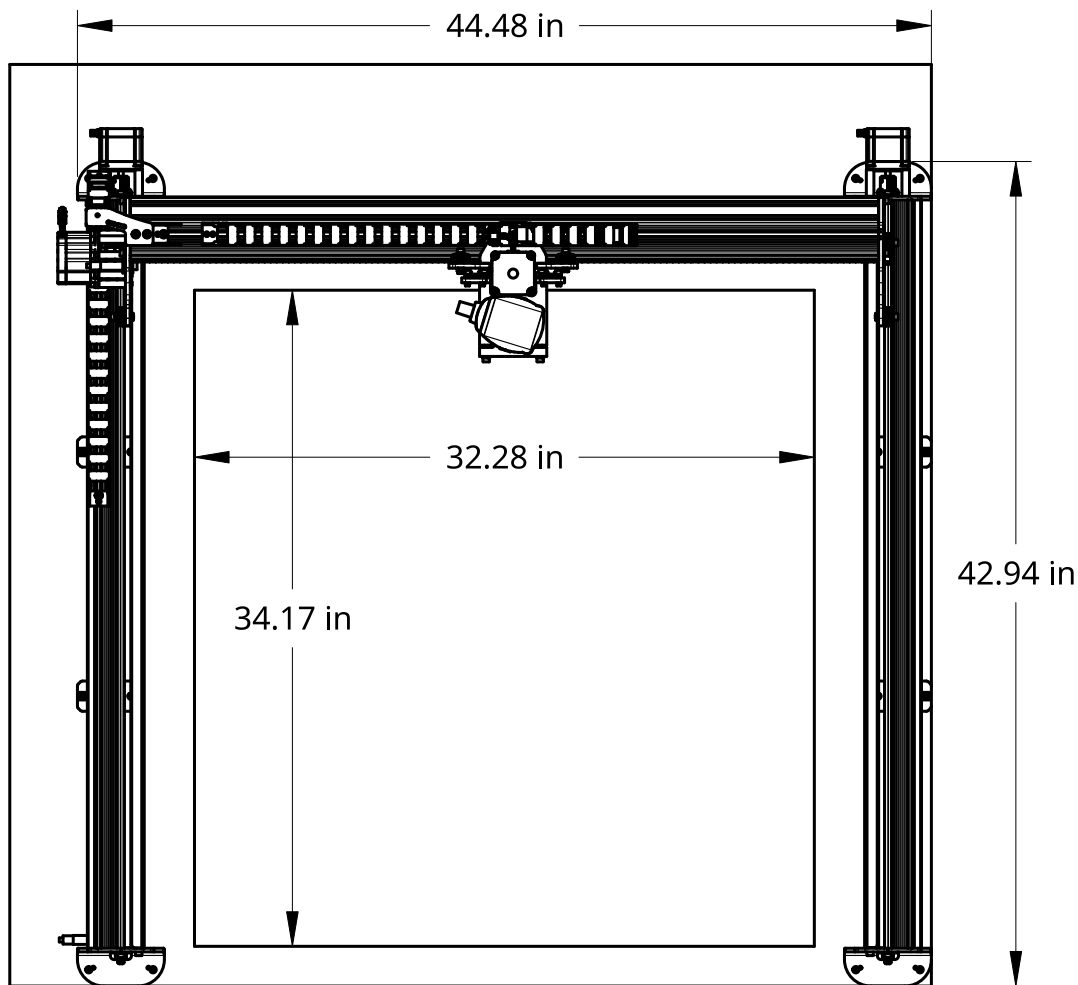


2

1

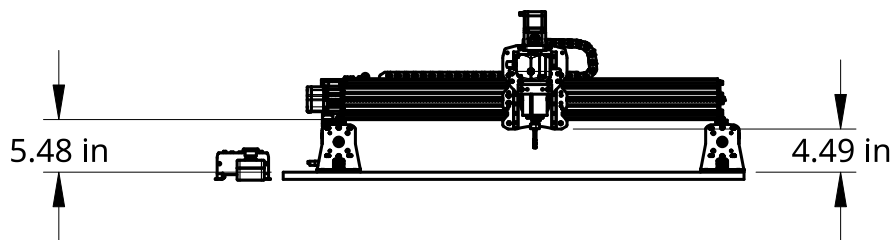


B

B

A

A



2

1

DO NOT SCALE DRAWING  
 BREAK ALL SHARP EDGES AND REMOVE BURRS  
 THIRD ANGLE PROJECTION

	NAME	DATE
DRAWN	SIENCI LABS	12/29/2021
LAST EDITED	SIENCI LABS	12/29/2021
APPROVED		

 <b>SIENCI LABS</b> DESKTOP CNC MILLING			
			TITLE
<b>LongMill MK2 30x30 Dimensions</b>			REV: <b>1</b>
			SIZE <b>A</b>
SCALE	WEIGHT	1 of 1	

